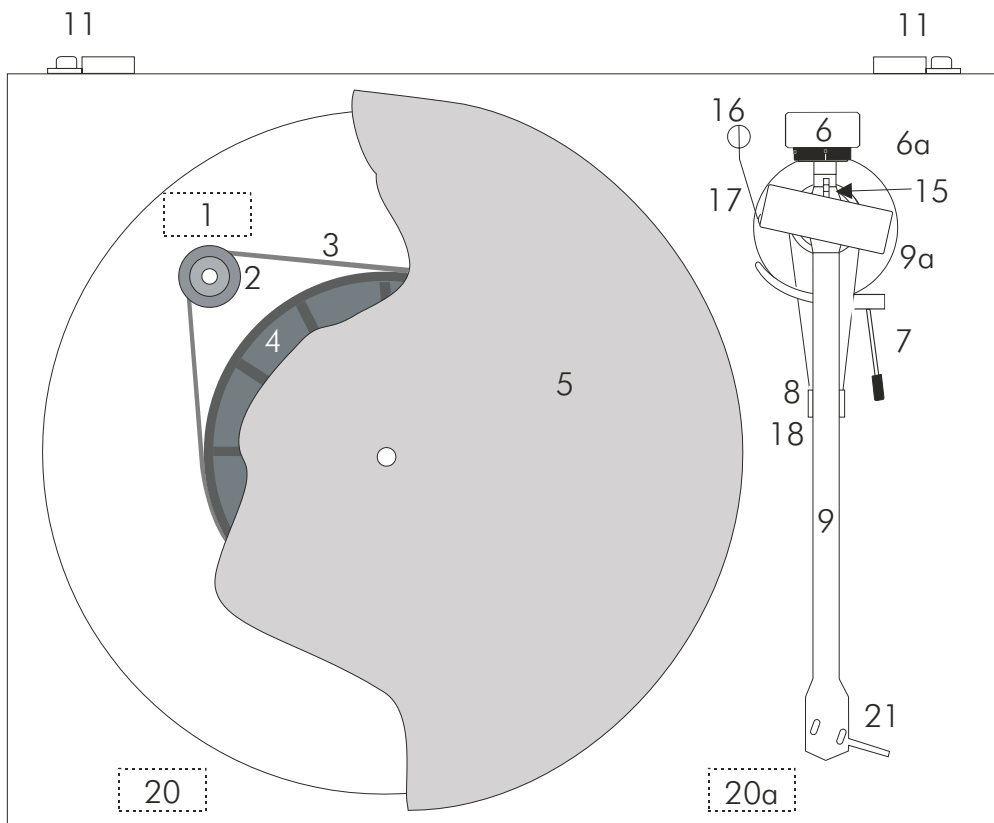
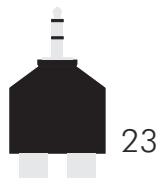




INSTRUCTIONS FOR USE
Pro-Ject Juke Box



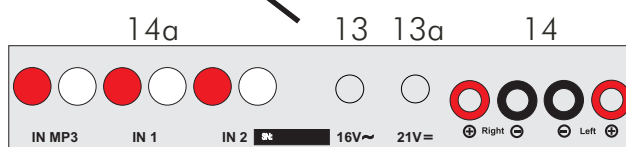
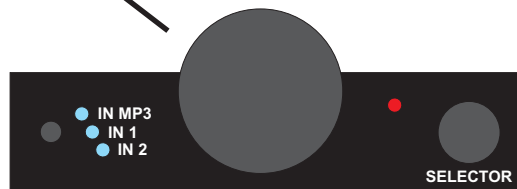
3a



23



22



PRO-JECT JUKE BOX

Controls, features and connections

1	Motor		
2	Stepped drive pulley		
3	Drive belt *	3a	Hook *
4	Hub		
5	Platter with felt mat *		
6	Tonearm counterweight *	6a	Downforce scale
7	Tonearm lift lever		
8/18	Tonearm rest and removable transport lock		
9	Tonearm tube	9a	Tonearm base
10	Lid *		
11	Lid hinges		
12	Hinge fasteners		
13	Power supply socket 16V	13a	Power supply socket 21V
14	Speaker connector	14a	Line level inputs
15	Anti-skating weight adjustment scale		
16	Anti-skating weight *		
17	Anti-skating weight support hoop		
20	Power switch	20a	Start/stop switch (motor)
21	Headshell with finger lift and fitted Ortofon OM 5E cartridge		
22	Single adapter *		
23	3,5mm connector *		
	16V and 21V power supply (not shown) *		

Dear music lover,

thank you for purchasing a PRO-JECT AUDIO record player.

In order to achieve maximum performance and reliability with this record player you should study these instructions for use carefully.



Warning of a hazard for the user, the unit or possible misuse.



Important notice.

During assembly and adjustment of the deck small parts could be lost if not carefully placed in a suitable receptacle. Before starting assembly make yourself acquainted with the parts listed above and correspondingly numbered in the technical drawings above. Separately packed items are marked with an asterisk *.

Set-up

Make sure the surface you wish to use the turntable on is level (use a spirit level) before placing the turntable on it. Remove the transport lock (18) from the tonearm. Store it in the original packaging so it is available for any future transportation.

Fit the drive belt (3) around the hub (4) and the smaller diameter part of the motor pulley (2). Avoid getting sweat or grease on the belt as these will deteriorate the performance and reduce the belt's lifespan. Use absorbent kitchen paper to remove any oil or grease from the outer edge of the hub and the belt. Fit the platter (5) and felt mat over the spindle of the hub (4).

Cartridge downforce adjustment

The counterweight (6) supplied is suitable for cartridges weighing between 3,5 - 5,5g. Alternative counterweights for cartridges weighing between 6 - 9g or 1,5 - 3g are available as accessory parts. Adjust the downforce prior to installing the anti-skating weight.

Pushing carefully, turn the counterweight (6) onto the rear end of the tonearm tube (9), so that the downforce scale (6a) shows towards the front of the player. Lower the armlift and position the cartridge in the space between arm rest and platter. Carefully rotate the counterweight (6) until the armtube balances out. The arm should return to the balanced position if it is moved up or down. This adjustment must be done carefully. Do not forget to remove the cartridge protection cap if fitted.

Once the arm is correctly balanced return it to the rest. Hold the counterweight (6) without moving it, and gently revolve the downforce scale ring (6a) until the zero is in line with the anti-skating prong (15). Check whether the arm still balances out.

Rotate the counterweight counter clockwise (seen from the front) to adjust the downforce according to the cartridge manufacturer's recommendations. One mark on the scale represents 1 mN (= 0,1g / 0,1 Pond) of downforce.

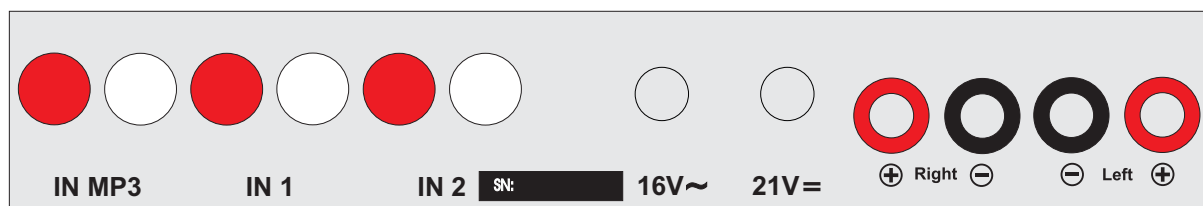


The recommended downforce for the factory fitted cartridge is 17,5mN.

Anti-skating force adjustment

Slip the loop of the anti-skating weight's thread over the second groove of the stub to set the correct anti-skating force for the factory-fitted cartridge. Feed the thread through the loop of the wire support (17).

Connectors



Take care to connect the left and right channels correctly. The right channel is usually marked red, the left channel black or white.

The red speaker terminals carry the positive signal (+), the black speaker terminals the negative signal (-). Make sure the polarity of the connection is correct at each end of the cables.

Inputs

Line level sources such as CD player, tuner, TV or MP3 player can be connected to the input sockets marked IN MP3, IN 1 and IN 2.

Connection to the speakers

The output terminals accept loudspeaker cables terminated with 4mm Ø Banana plugs, spades connectors or naked wire.



Only connect one loudspeaker with an impedance not less than 4 Ohm per channel.

Mains power connection

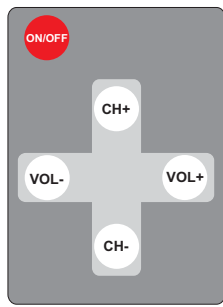
The turntable is supplied with a 16V and a 21V power supply suitable for your country's mains supply. Check the label before connecting to ensure compliance with the mains rating in your house.

Connect the low voltage plugs from the 16V and the 21V power supply to the socket (13) and (13a) on the rear of the record player before connecting to the mains.

Fitting the lid

Fit the lid (dust cover 10) carefully over the hinge prongs and adjust the screws (12) until the lid stays open where you want it to without being too stiff to open or close.

Remote control



not available



and



adjust the sound volume



and



select the inputs.

The selected input is shown respectively by the lit LED.

Switching on and off

Pressing the power switch (20) switches the unit on and off. The red LED on the front panel shows that the unit is powered on.

Front panel controls



Input selector

After the unit is powered on it is instantly ready to play vinyl records. Pressing the **SELECTOR** button selects the **IN MP3**, **IN 1** and **IN 2** inputs in turn. The selected input is shown respectively by the lit LED.

Volume

Adjust the volume to the desired level using the large knob on the front panel.

Playing vinyl records

Remove the cartridge protection cap (21) if fitted. Press the start/stop switch (20a) to start the motor. Put the needle over the lead in-groove and lower the tonearm lift lever. Adjust the volume to the desired level.

Changing replay speed

To play records at 45 r.p.m. first remove the platter (5). Using the accessory tool provided (3a), hook the belt (3) over the larger diameter part of the motor pulley (2). Refit the platter. To revert to 33,33 r.p.m. repeat the proceedings using the smaller step on the pulley.



When the Pro-Ject Speed Box or the Speed Box SE are used speed change between 33 and 45 r.p.m. is electronic. There is no need to move the belt manually.

**** In addition, 78 r.p.m. is available after fitting a special pulley, which may be purchased as an optional extra.*

For detailed product information please refer to the Pro-Ject web site www.project-audio.com.

Replacing batteries

Proceed as follows:

- Slide open the battery case cover
- Replace the battery. Make sure the battery is the right way round
- Refit the battery case cover

Battery type: 1 x CR 2032 / 3V



Do not dispose the batteries as ordinary domestic refuse. Please dispose your exhausted batteries at the appropriate collection sites - usually located at supermarkets and drugstores.

Maintenance and cleaning

Your record player requires little or no regular maintenance. Remove dust with a slightly moistened antistatic cloth. Never use a dry cloth because this will create static electricity which attract more dust! Antistatic cleaning fluids are available at specialist stores but must be applied sparingly to avoid damage to rubber parts. It is recommended to fit the needle cover before cleaning or maintenance is carried out to avoid damage. If the player is not used over a long period of time the drive belt can be removed to prevent unequal stretching.



Always disconnect the record player from the mains power supply as a precaution before maintenance!

Useful tips

The record player should be positioned on a low-resonance surface such as wood or multiple layer ply board to avoid structural vibrations disturbing replay.

Technical specifications PRO-JECT JUKE BOX

Record player

Nominal speeds	33,33/45,11 r.p.m.. *** 78 r.p.m. optional
Speed variance	±0,9 %
Wow and flutter	±0,15 %
Signal to noise	-55dB
Downforce range	10-35mN
Effective tonearm length	8,6 " (218,5mm)
Overhang	18,5mm
Outboard power supply	16V/500mA AC, suitable for your country's mains supply

Cartridge Ortofon OM 5E

Frequency range	20-25.000Hz
Channel separation	22dB/1kHz
Output voltage	4mV
Recommended load resistance	47kohms/amplifier connection – MM-input
Compliance/stylus type	20µm/mN – elliptical
Recommended tracking force	17,5mN
Weight	5g
Replacement stylus	Ortofon Stylus OM 5E

Amplifier

Power output	2 x 20W/30W at 8ohms/4ohms (both channels driven)
Frequency response	20Hz - 20kHz (+ - 0,2 dB)
Channel separation	> 40dB at 20kHz
Noise floor	> -100dB (A weighted)
THD	< 0,05% at 10W
Gain	22dB
Phono amplifier	Moving magnet (MM)
RIAA-equalisation curve accuracy	20Hz - 20kHz / max. 0,5dB
Line level inputs	3 pairs RCA/Phono sockets
Input impedance	20kohms
Outboard power supply	20V/3A DC (peak 7A DC), suitable for your country's mains supply
Replacement battery remote control	1 x CR 2032 / 3V
Power consumption	65W
Dimensions (W x H x D)	415 x 118 x 350mm, dust cover open 415 x 365 x 405mm
Weight	6,5kg

Potential incorrect use and fault conditions

PRO-JECT turntables are manufactured to the highest standards and undergo strict quality controls before leaving the factory. Faults that may possibly occur are not necessarily due to material or production faults but can sometimes be caused by incorrect use or unfortunate circumstances. Therefore the following list of common fault symptoms is included.

The platter doesn't turn although the unit is switched on:

The unit is not connected to the mains power supply. No mains at the socket.
Drive belt is not fitted or has slipped off.

No signal through one or other channel or both channels:

No signal contact from the cartridge to the internal tonearm wiring or from that to the arm lead. This could be due to a faulty plug, broken wire or solder joint or simply loose plug/socket connection.
Wrong input selected at amplifier.
Amplifier not switched on.
Amplifier or speakers defective.
No connection to the loudspeakers.

Distorted or inconsistent sound from one or both channels:

Needle or cantilever damaged.
Wrong r.p.m., drive belt overstretched or dirty, platter bearing without oil, dirty or damaged.

Service

Should you encounter a problem which you are not able to alleviate or identify despite the above information, please contact your dealer for further advice. Only when the problem cannot be resolved there should the unit be sent to the responsible distributor in your country.

Guarantee repairs will only be effected if the unit is returned correctly packaged. For this reason we recommend keeping the original packaging. Never return a record player without making sure that it is safely disassembled and correctly packaged in the original packaging according to the diagrams on the last page of this user guide. Please remove these parts and pack them separately: lid (10), counterweight (6), anti-skating weight (16) platter (5), cartridge and belt (3). Fit the cartridge protection cap. Insert the transport lock for the tonearm (18) prior to carefully packaging the record player.

Warranty



The manufacturer accepts no responsibility for damage caused by not adhering to these instructions for use and/or by transportation without the original packaging. Modification or change to any part of the product by unauthorized persons release the manufacturer from any liability over and above the lawful rights of the customer.

PRO-JECT is a Registered Trademark of H. Lichtenegger.

This guide was produced by: Audio Trade GmbH
Copyright © 2009. All rights reserved.

The information was correct at the time of going to press. The manufacturer reserves the right to make changes to the technical specification without prior notice as deemed necessary to uphold the ongoing process of technical development.

