



# Frame Vision

## SCREEN SURFACES



**FlexWhite**  
Pliable matt white front surface, superb colour rendition, Full HD compliant. Gain 1.0.



**ReAct 2.1**  
Pliable silver grey front surface, enhances colour contrast in bright light, Full HD compliant. Gain 1.0.

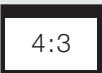


**FlexPerf**  
White material with microscopic perforations which create a sound transparent projection surface. Gain 0.8.

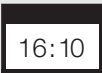


**FlexRear**  
Neutral grey rear projection surface, allows placement of projector behind the screen. Gain 2.5.

## PROJECTION FORMATS



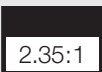
The format of the viewing area is 4:3.



The format of the viewing area is 16:10.



The format of the viewing area is 16:9.



The format of the viewing area is 2.35:1.

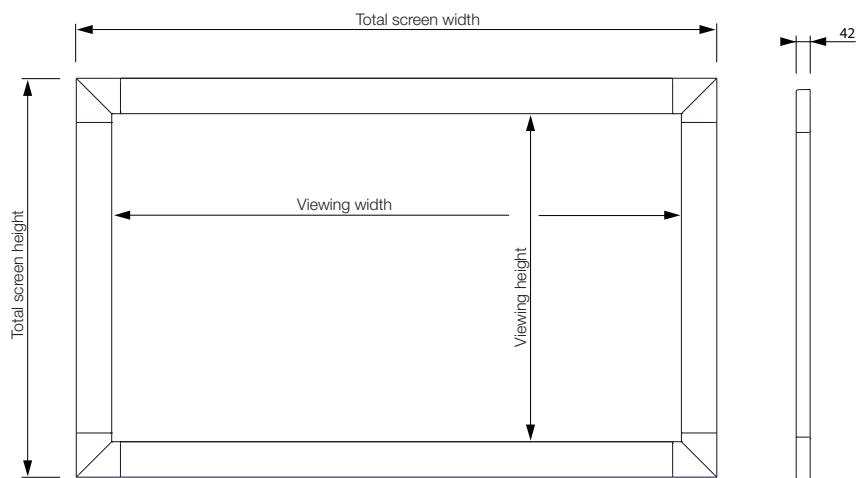
## OPTIONS



**Vel-Tex®**  
For total control of the ambient light. Reducing the reflections to a minimum.

Frame Vision is a high quality framed screen with a tensioning system that puts equal tension on each part of the viewing surface, making it perfectly smooth. The surface is stretched on a 10cm aluminium frame that features an attractive black border, giving the screen a theatre-like appearance. As an option, Vel-Tex® can be added to the frame, for total control of the ambient light and reducing the reflections to an absolute minimum. Frame Vision is very quick and easy to assemble.

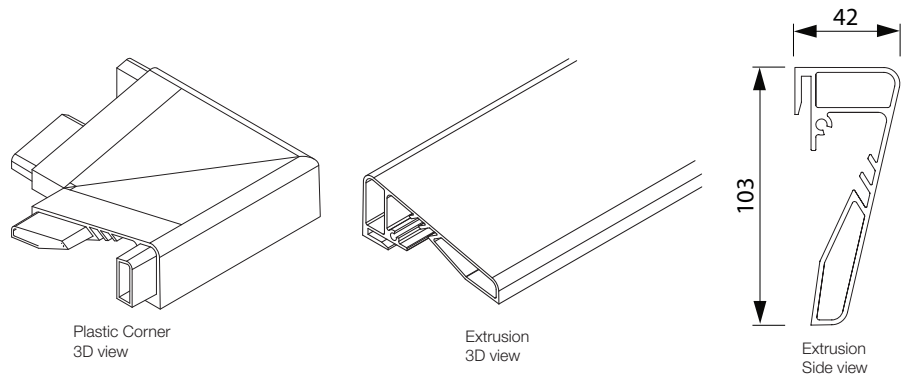
## SCREEN DIMENSIONS



Total frame width = Viewing width + 200mm

Total frame height = Viewing height + 200mm

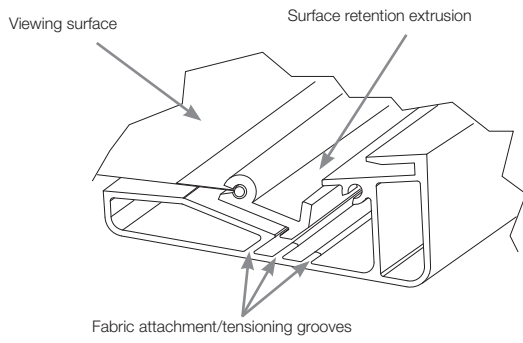
## DETAILS



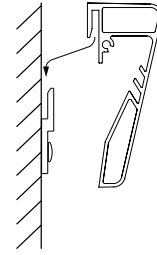
# Frame Vision

## CONSTRUCTION

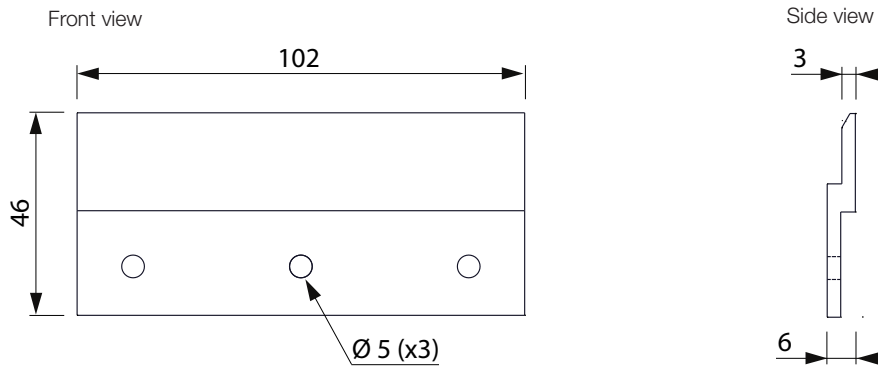
How to tension the screen surface



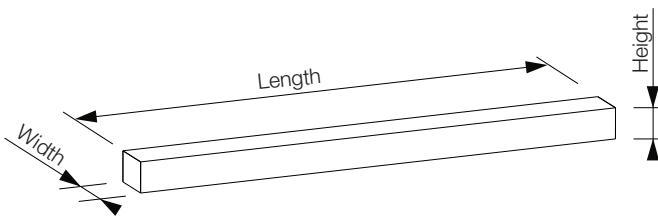
How to mount the screen



## BRACKET DIMENSIONS



## PACKAGING DIMENSIONS



Screen width (viewing area)	Box length	Box width	Box height
1600	1950	245	250
1800	2150	245	250
2000	2350	245	250
2200	2550	245	250
2400	2750	245	250
2700	3050	245	250
3000	3350	245	250
3500	3850	245	250
4000	4350	245	250