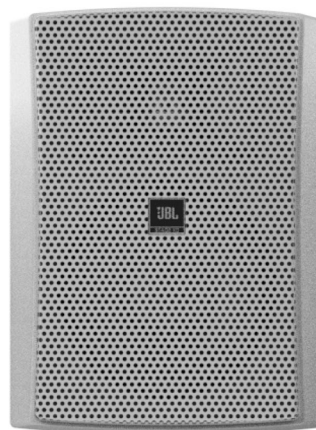


Stage XD Indoor/Outdoor Speakers



Quick Start Guide



Overview

This Quick Start Guide contains basic information on the Stage XD Indoor/Outdoor loudspeakers, important pre-installation steps, and important safety warnings about installation of this product. Read through this document in its entirety before proceeding with installation.

After reading this document visit the product page on the JBL Specialty Audio website for complete installation instructions for these products.



JBL.com/Specialty-Audio/

Supported Products

This document supports the following products.

Stage XD-5	2-way Dual 5.25" In-Wall
Stage XD-6	2-way 6.5" In-Wall

Box Contents

2x Stage XD-5 or XD-6 Loudspeakers
 2x Zero Bezel Grilles
 4x Rubber Feet
 1x Grille Removal Tool
 2x Wall Installation Kit (Mounting Bracket)
 1x Quick Start Guide (This Document)

IMPORTANT! HARMAN International assumes no responsibility for improper installation of hardware, any personal injuries, or product damages resulting from improper installation or a fallen loudspeaker. Read through this document and other documents associated with this product in their entirety and heed all warning before proceeding with the installation of these product(s).

IMPORTANT! Installation Precautions

Due to the nature of this product, there are several precautions to follow before installation can begin.

1. Ensure that all wire run inside of walls and ceiling meets or exceeds local fire codes for hidden wiring.
2. Determine wire lengths and select the proper gauge speaker wire to use based on the table under [Wire Gauge by Distance](#).
3. Do **NOT** connect the speakers to an amplifier rated above the recommended amplifier power. Overdriving the speaker can cause an overheating condition increasing the risk of injury.
4. Do **NOT** connect the amplifier end of the wire until all speakers are wired and installed.

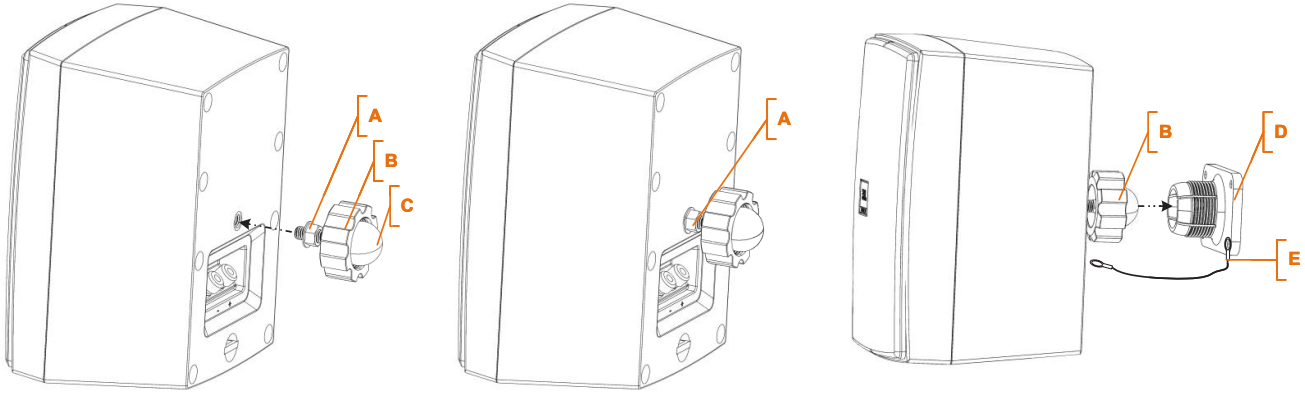
Wire Gauge by Distance

Distance/Length	Wire Gauge
< 50ft (15m)	16-gauge
50ft (15m) ~ 100ft (30m)	12-gauge
>100ft (30m)	10-gauge

Wall Installation

The Stage XD speaker can be installed on a wall using the included Wall Installation Hardware. Follow the instructions carefully to ensure proper installation.

1. Install lock nut **[A]** onto threaded knuckle **[C]** away from the end.
2. Slide lock ring **[B]** over threaded knuckle **[C]**.
3. Secure lock nut **[A]** onto speaker.
4. Locate mounting position on wall leaving enough space for speaker to clear ceiling and/or other obstacles. Secure knuckle joint **[D]** to wall with the included security cable **[E]** on one of the bottom screws.
5. Install the knuckle **[C]** into the joint **[D]** and secure lock ring **[B]**.

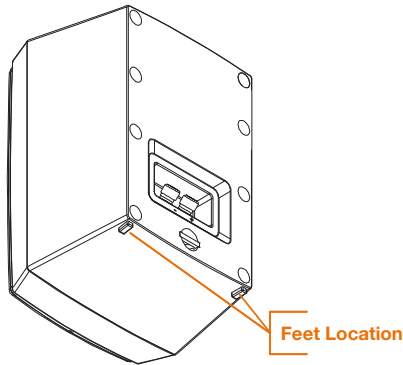


Adjusting Angle and/or Orientation

Once the speakers are installed on the wall they can be adjusted for angle and orientation. Simply loosen the lock ring slightly and move the speaker within the mount into the desired orientation. Note that for horizontal orientation the logo can be rotated.

Tabletop Installation

While the common use is to install Stage XD speakers onto a wall, they can also be used on a table/desktop. To use on a flat surface, install the included rubber feet onto the bottom of each speaker at the rear outer corners.



Connecting Speakers

1. Ensure that the appropriate wire gauge has been run based the [Wire Gauge by Distance](#) chart.
2. Ensure that wires are marked for polarity to ensure speakers are not connected out of phase.
3. Connect positive wires to the **(+)** terminal and negative feed wire to the **(-)** terminals.
4. Continue connecting until all speakers are connected.

Specifications

	Stage XD-5	Stage XD-6
High Frequency Transducer	1" (25mm) Aluminum dome with High-Definition Imaging (HDI™) waveguide	1" (25mm) Aluminum dome with High-Definition Imaging (HDI™) waveguide
Low Frequency Transducer	5.25" (130mm) Polycellulose cone woofer	6.5" (165mm) Polycellulose cone woofer
Nominal Impedance	6ohms	6ohms
Sensitivity (2.83V@1m)	86dB	88dB
Recommended Amplifier Power	20-100W RMS	20-100W RMS
Frequency Response (-6dB On-Axis)	75Hz-25kHz	55Hz-25kHz
Crossover Frequency	2500K	2500K
Dimensions HxWxD	H: 6.4 (162mm) x W: 7.2 (182mm) x D: 6.4 (162mm)	H: 8.7 (222mm) x W: 11.8 (299mm) x D: 7.6 (194mm)
Wall Mount Length	H: 2.8 (71mm)	H: 2.8 (71mm)



Harman International Industries, Incorporated.
8500 Balboa Blvd, Northridge CA 91329 United States.

European Representative: Harman International Industries, Incorporated.

EMEA Liaison Office, Danzigerkade 16G, 1013 AP Amsterdam, The Netherlands.

UK Business Address: Ground Floor, Westside 2, London Road, Apsley, Hemel Hempstead, Hertfordshire, HP3 9TD, United Kingdom.

© 2022 Harman International Industries, Incorporated. All Rights Reserved.

JBL is a trademark of Harman International Industries, Incorporated registered in the United States and other countries.

Features, Specifications, and Appearance subject to change without notice.

Stage XD Indoor/Outdoor Speakers Quick Start Guide | Rev 1.3 20221017 | Part No. 950-0608-001

